

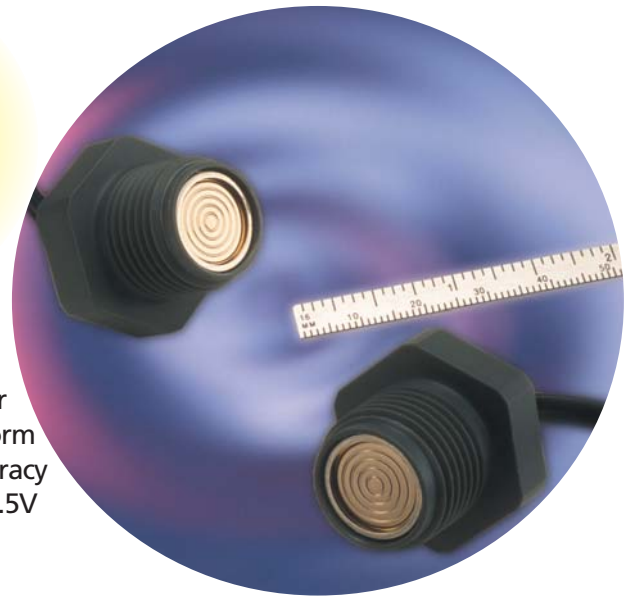
LM Series

Low Pressure Media-isolated Pressure Sensors

DESCRIPTION

The LM Series incorporates stainless steel and plastic isolation suitable for level sensing in water, other liquid and gas. The LM series uses a patent pending low cost stainless steel sensor in a plastic fitting. The modular design is adaptable to an infinite number of plastic port variations. With high performance in a small form factor, the LM Series enables the miniaturization of high accuracy pressure and vacuum systems. The standard output is .5V to 4.5V with a 5V supply.

Liquid
Level
Sensing



FEATURES

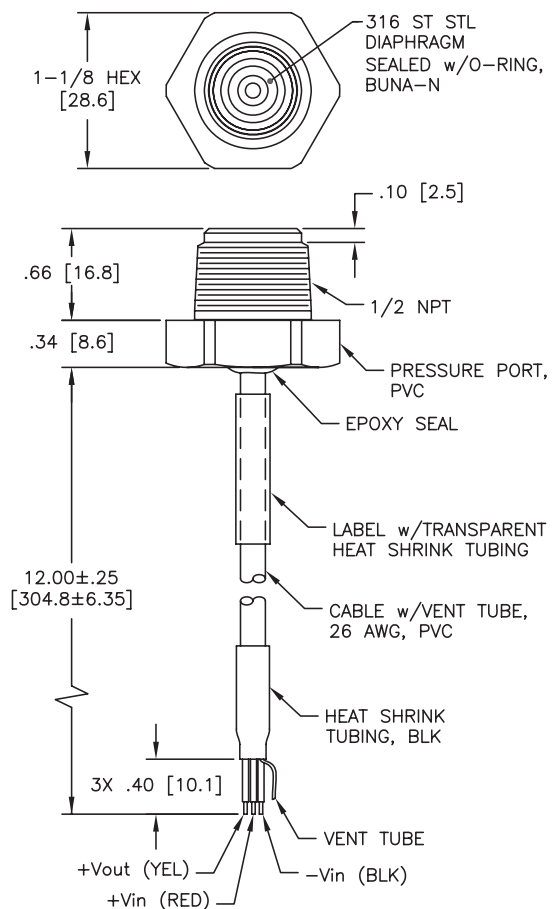
- ◆ Low to mid pressure ranges (1psi thru 150psi)
- ◆ High Level Output (.5 to 4.5V with 5V supply)
- ◆ Stainless steel diaphragm with plastic housing
- ◆ Ideal for shallow tank level measurement
- ◆ Targeted for high volume low cost custom applications including custom panel meters & connections

APPLICATIONS

- ◆ Irrigation
- ◆ RV and marine holding tank level
- ◆ Water storage & recycling systems
- ◆ Small tank fluid level
- ◆ Chillers & evaporative coolers

dimensions

ALL DIMENSIONS IN INCHES [mm]



LM Series Low Pressure

performance specifications

PARAMETERS	MIN	TYP	MAX	UNITS	NOTES
Full Pressure Output		4.5		Vdc	1, 2
Zero Pressure Output		0.5		Vdc	1, 2
Accuracy					
Combined linearity, hysteresis & repeatability		0.25		±% Span	1, 3
Total Error Band					
Includes all calibration errors		7% < 5psi			
above and temperature effects		5% 5psi			
over the compensated range		3% > 5psi		±% Span	4, 5
Pressure Overload					
			3X	Rated	6
Supply Voltage	4.75	5	5.25	Vdc	
Load Impedance	100K			Ω	9
Insulation Resistance (@ 50V DC)	50			MΩ	7
Compensated Temperature Range	0° to 40°C				5
Operating Temperature Range	-20° to 85°C				
Wetted Material	PVC, 316 SS and Buna-N "O" ring seal				8

Notes

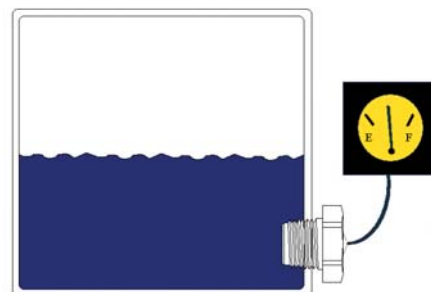
- 1) Measured at 5VDC and 25°C
- 2) Ratiometric to supply voltage
- 3) Best Fit Straight Line
- 4) Total error band is 7% for .07 bar sensors, 5% for .35 bar sensors, and 3% for 1 bar and higher.
- 5) Custom calibration available for high volume applications
- 6) Pressure overload for 1, 2, & 5 psi devices is 20 psi. For .07 & .35 bar devices it is 1.4 bar. All other ranges are 3X or 150 psi (10 bar), whichever is less.
- 7) Minimum from any wire to metal diaphragm
- 8) Other materials available, consult factory.
- 9) Minimum of 100Kohm for quoted performance.

ordering information

Model	Output	Connection	Specials	Port type	Pressure range	Pressure unit	
LM	X	X	- 00000	X	- XXXX	X	
	Output	Connection	Specials	Port type	Pressure range	Pressure units	
	3=.5 to 4.5V Ratiometric	1= cable 12 inches in length	Specials are designated by a 5 digit number.	F= 1/2 NPT	001P=0 to 1psi 002P=0 to 2psi 005P=0 to 5psi 015P=0 to 15psi 030P=0 to 30psi 050P=0 to 50psi 100P=0 to 100psi 150P=0 to 150psi	.07B=0 to .07bar .35B=0 to .35bar 001B=0 to 1bar 002B=0 to 2bar 005B=0 to 5bar 007B=0 to 7bar 010B=0 to 10bar	G = gauge
	X=Special output	X=Special connection		X= special port			

pressure ranges

Range	psig	Range	bar gage
0 to 1 psi	●	0 to .07 bar	●
0 to 2 psi	●	0 to .35 bar	●
0 to 5 psi	●	0 to 1 bar	●
0 to 15 psi	●	0 to 2 bar	●
0 to 30 psi	●	0 to 5 bar	●
0 to 50 psi	●	0 to 7 bar	●
0 to 100 psi	●	0 to 10 bar	●
0 to 150 psi	●		



measurement
SPECIALTIES