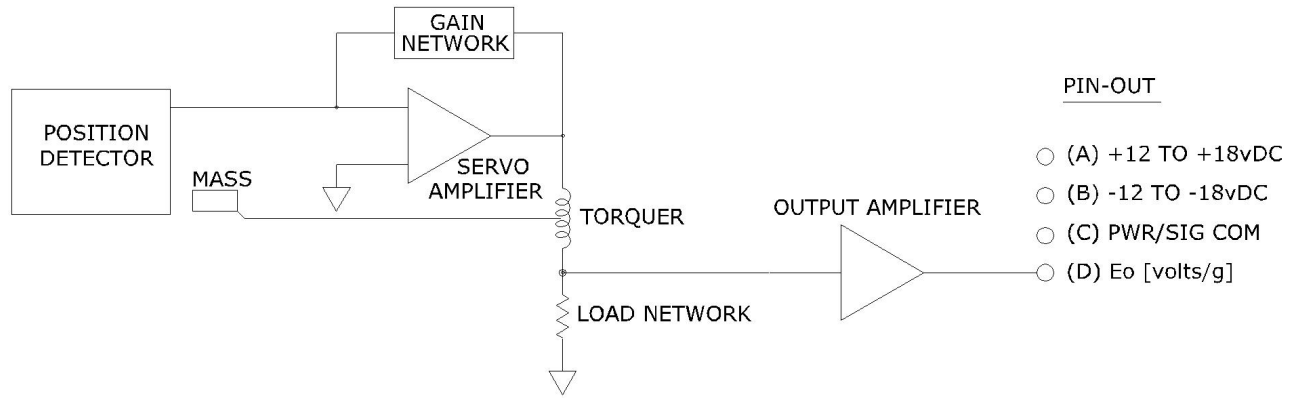


LCF-200 Series Flexure Suspension Servo Fluid Damped Accelerometer

Block Diagram



Outline Diagram

