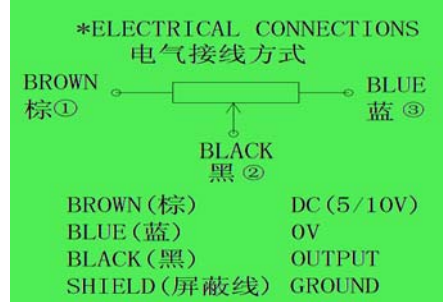




ATS-L-R 系列产品



◀ LINEAR WIRE POTENTIOMETER ▶

- PRECISION ELECTRIC RESISTANCE SIGNAL OUTPUT
- SUITABLE FOR SHORT TO MEDIUM MEASUREMENT RANGE

ELECTRICAL SPEC.

Effective Stroke(mm)量测行程	(3000mm~20000mm)之间量程任意可选
Output Signal Mode 输出信号模式	Resistance(Potentiometer)
Linearity 线性度	±0.25%FS(standard class);±0.10%FS(precision class)
Repeatability 重复性	±0.02%FS
Resolution 解析	Essentially infinite 本质无穷
Measurement Wire 线径规格	Diameter1mmSUS304 with fluorin-coated
Sensor 传感器	Wire-winding and hybrid potentiometer 绕线混合电位器
Starting force 拉力	≅ 2200g
Max.Measuring Wire Velocity(go and back)最大往复速度	600mm/sec
Weight 重量	≤3500g,

MECHANICAL SPEC.

Input Resistance 输入电阻值	5Kohm±10%FS(standard class),±5%FS(precision class)
Power Rating(watts)额定功率	2Wat70℃
Recommended Input Voltage 输入电压	30VDCmax.,best voltage at5/10Vdc

ENVIRONMENTAL SPEC.

Operating Temp.工作温度	0℃ ~+70℃
Storage Temperature 储存温度	-20℃ ~+80℃
Vibration 震动	10Hz to 2000Hz
Protection 保护等级	IP65(for pot .housing only)

ORDERING INFORMATION 订货须知

ATS-L-	Measuring Range 量测行程 (3000mm~20000mm) 之间量程任意可选	Signal Mode 信号模式 *R:Resistance 5k ohm	Life 寿命及线性度 Blank:1×10 ⁶ cycles linearity0.25%FS *F: 5×10 ⁶ cycles linearity0.10%FS
--------	--	--	---