

FN2317 SERIES Handbrake Load Cell

- **Compatible with most handbrakes**
- **Excellent accuracy regardless of the point of application of force**
- **Ergonomic design**
- **Optional high level output**

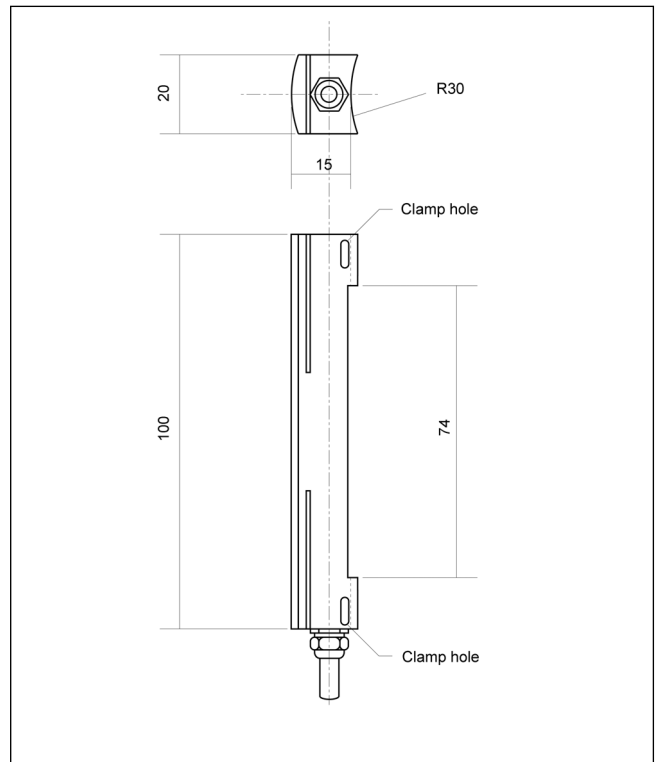


The FN 2317 is designed with the express purpose of allowing quick and easy installation when measuring forces applied to the handle of the hand brake in automobiles. Through careful placement of metallic strain gauges inside the sensors, accurate measurements are obtained regardless of the point of application of force. Clamping collars facilitate the prompt and uncomplicated installation of the load cell under the hand brake. As such, the FN 2317 is compatible with most models of hand brakes.

FGP Sensors also offer conditioning electronics to power the sensor, amplify the electronic signal, and display the data digitally. A turnkey measurement system arrives with matched components, formatted, calibrated and ready for your immediate use.

TECHNICAL SPECIFICATIONS

Range :	500 N
Non Linearity & Hysteresis :	$<\pm 0.5\%$ F.S.
Safe Overload	1.5 x F.S.
F.S. Output :	2 mV/V, 0.5 - 4.5 Vdc, ± 5 Vdc
Supply Voltage :	10 Vdc, 10-30 vdc, ± 15 Vdc
Operating Temperature Range :	-20 to 80 °C
Compensated Temperature Range :	0 to 60 °C
Electrical Termination :	2 m shielded cable
Operation :	Compression
Casing Material :	Stainless steel
Protection Index :	IP50
Optional :	LEMO Connector output



Photographs non contractual. Specifications subject to change without notice and assume correct loading of the device. xx/xx/2006