

FN7080 SERIES Gear Stick Load Cell

- 2 and 3 axes measurements
- Fits most gear sticks
- Compact and ergonomic design
- Optional high level output



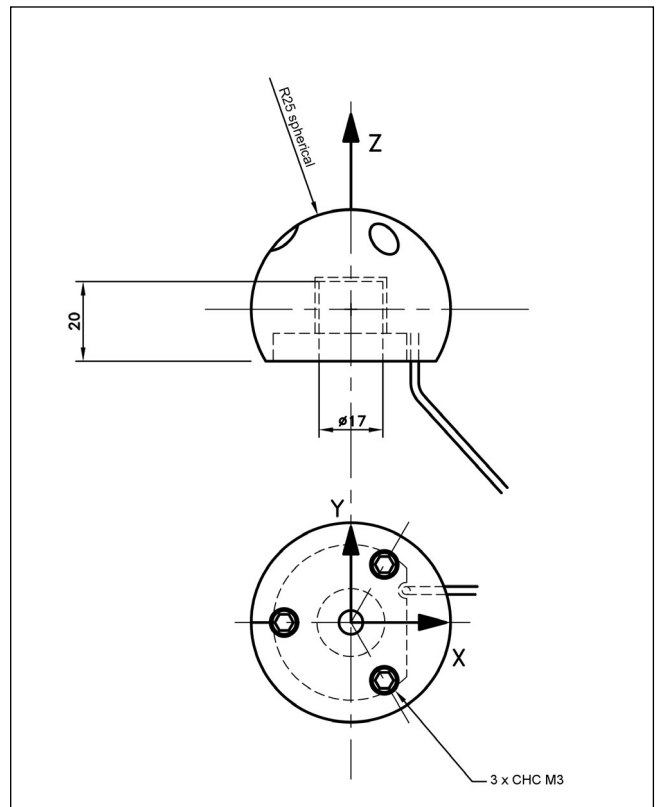
TECHNICAL SPECIFICATIONS

Ranges :	Fx	200 to 500 N
	Fy	200 to 500 N
	Fz	200 to 500 N
Non Linearity :	$\pm 0.3\% \text{ F.S.}$	
Cross Sensitivity :	<math>< 3\% \text{ F.S.}</math>	
Safe Overload	1.2 x F.S.	
F.S. Output :	1.5 mV/V, 0.5 - 4.5 V, $\pm 5 \text{ V}$	
Supply Voltage :	10 Vdc, 10-30 Vdc, $\pm 15 \text{ Vdc}$	
Operating Temperature Range :	-20 to 80 °C	
Compensated Temperature Range :	0 to 60 °C	
Electrical Termination :	2 m shielded cable	
Operation :	Mutliaxial	
Casing Material :	Anodized aluminium	
Protection Index :	IP50	

The **FN7080** is installed in place of the original gear knob on the gear stick of a vehicle to measure the force required to change gear. Force is measured either in two or three directions. An adapter coupled with an interface collar allows a simple and rapid fitting of the FN7080 to the majority of vehicles.

The sensor's geometry and size means that it is as ergonomic as the original gear knob. The ease of mounting enables the FN7080 to be used on a vehicle or on a test bench. An optional version providing direct high level output allows for use with already existing measurement systems.

FGP Sensors also offer conditioning electronics to power the sensor, amplify the electronic signal, and display the data digitally. A turnkey measurement system arrives with matched components, formatted, calibrated and ready for your immediate use.



Photographs non contractual. Specifications subject to change without notice and assume correct loading of the device. xx/xx/2006