

Model 801X-AR/-AP Accelerometer



4-20mA Loop Power
 True RMS or Peak Output
 -40°C to +85°C Operating Range
 Top Exit Connector or Integral Cable



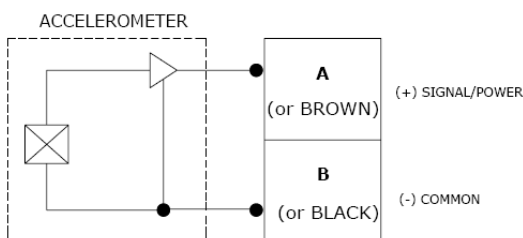
The Model 8011 & 8012 are internally shielded rugged 4-20mA accelerometers. The accelerometers are available in ranges from $\pm 5g$ to $\pm 50g$, in either RMS or Peak acceleration output options. The model 8011 features a top exit MIL-C-5015 connector while the model 8012 features an integral cable. The units are hermetically sealed and are designed for operating in temperature ranges from -40°C to +85°C.

FEATURES

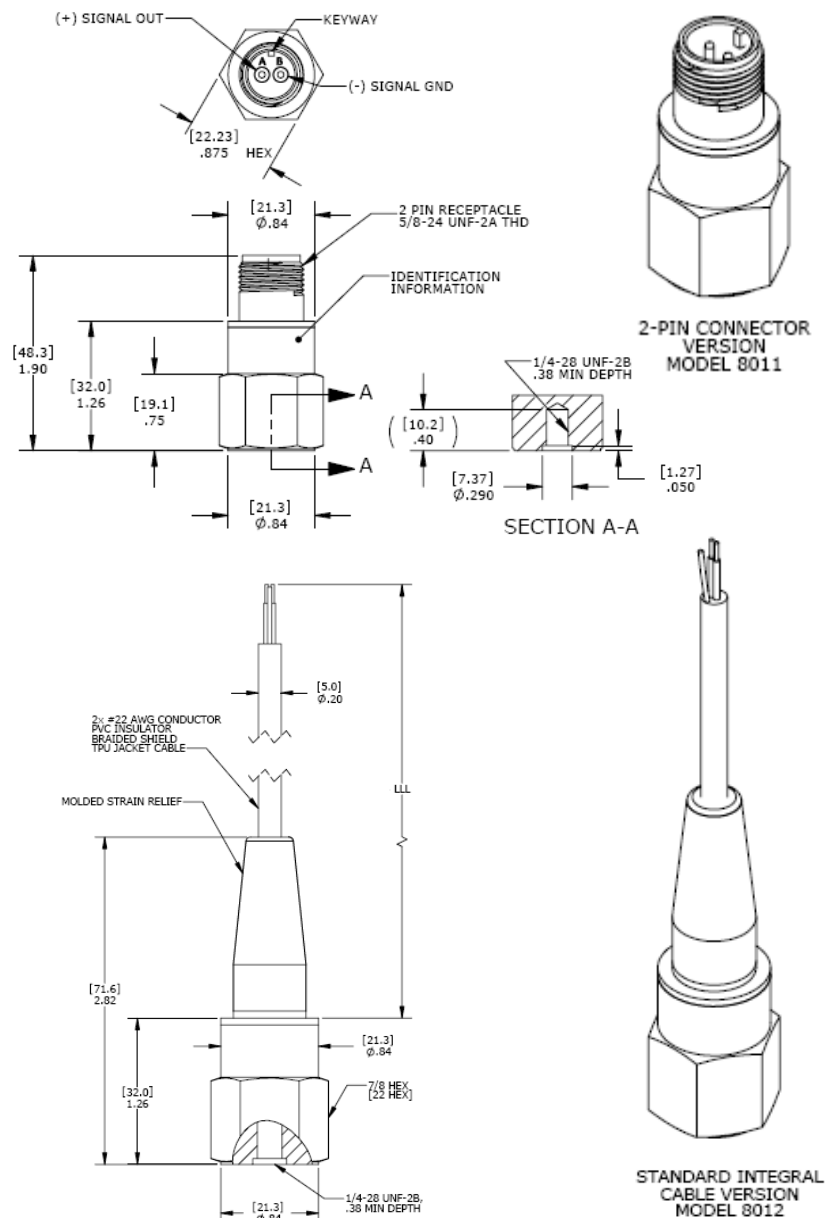
- $\pm 5g$ to $\pm 50g$ Dynamic Range
- 10-5000Hz Bandwidth
- Case Isolated, Internally Shielded
- Hermetically Sealed, Welded
- Annular Shear Mode
- Reverse Wiring Protection
- Stable Temperature Response
- 2-Pin MIL-C-5015 Connector

APPLICATIONS

- General Purpose
- Machine Monitoring
- Rotary Compressors
- Motors and Pumps
- Rotating Machinery



dimensions



Model 801X-AR/-AP Accelerometer

All values are typical at +24°C, 100Hz and 15Vdc excitation unless otherwise stated. Measurement Specialties reserves the right to update and change these specifications without notice. Standard product parameters are described in PSC-1003 for Plug & Play AC Accelerometers.

Parameters					Notes
DYNAMIC					
Range (g Peak or RMS)	±5	±10	±20	±50	
Output (mA)	4 to 20	4 to 20	4 to 20	4 to 20	
Frequency Response (cpm)	600-300000	600-300000	600-300000	600-300000	±10%
Frequency Response (Hz)	10-5000	10-5000	10-5000	10-5000	±10%
Non-Linearity (%FSO)	±1	±1	±1	±1	
Transverse Sensitivity (%)	<5	<5	<5	<5	
Shock Limit (g)	5000	5000	5000	5000	
ELECTRICAL					
Excitation Voltage (Vdc)	12 to 30				
Loop Resistance (Ohms)	900 max				See Note 1
Turn on Time (sec)	<10				
Grounding	Case Isolated, Internally Shielded				
ENVIRONMENTAL					
Operating Temperature (°C)	-40 to +85				
Storage Temperature (°C)	-40 to +85				
PHYSICAL					
Sensing Element	Ceramic (shear mode)				
Case Material	Stainless Steel				
Weight (grams)	93				
Mounting Torque	24 lb-in (2.7 N-m)				
Calibration supplied:	CS-FREQ-0100	NIST Traceable Amplitude Calibration from 20Hz to ±10% Frequency Response Limit			
Supplied accessories:	AC-A03663	¼-28 to ¼-28 mounting stud			
Optional accessories:	316-XXX	Cable Assembly, Straight (XXX designates length in inches, 10ft standard)			
	318-XXX	Cable Assembly, 90 Degrees (XXX designates length in inches, 10ft standard)			
	AC-D03664	¼-28 to M5 mounting stud			
	AC-D03665	¼-28 to M6 mounting stud			
	AC-A04209	Magnetic Mounting Adaptor			

Note 1

Maximum Loop Resistance = (Excitation Voltage – 12Vdc) / 20mA

The information in this sheet has been carefully reviewed and is believed to be accurate; however, no responsibility is assumed for inaccuracies. Furthermore, this information does not convey to the purchaser of such devices any license under the patent rights to the manufacturer. Measurement Specialties, Inc. reserves the right to make changes without further notice to any product herein. Measurement Specialties, Inc. makes no warranty, representation or guarantee regarding the suitability of its product for any particular purpose, nor does Measurement Specialties, Inc. assume any liability arising out of the application or use of any product or circuit and specifically disclaims any and all liability, including without limitation consequential or incidental damages. Typical parameters can and do vary in different applications. All operating parameters must be validated for each customer application by customer's technical experts. Measurement Specialties, Inc. does not convey any license under its patent rights nor the rights of others.

ordering info

PART NUMBERING Model Number+Range

801X-ZZ-GGG-CCC

| | | | Cable length (120 is 120 inches)

| | | Range (050 is 50g)

| | Range Type (AR is RMS Acceleration)

| Electrical Connection Option (1 for 2-pin connector, 2 for integral cable)

-ZZ

AR = RMS

AP = Peak

Example: 8011-AR-050

Model 8011, 2-pin connector, RMS acceleration output, 50g range