

## CM-01 接触式传感器

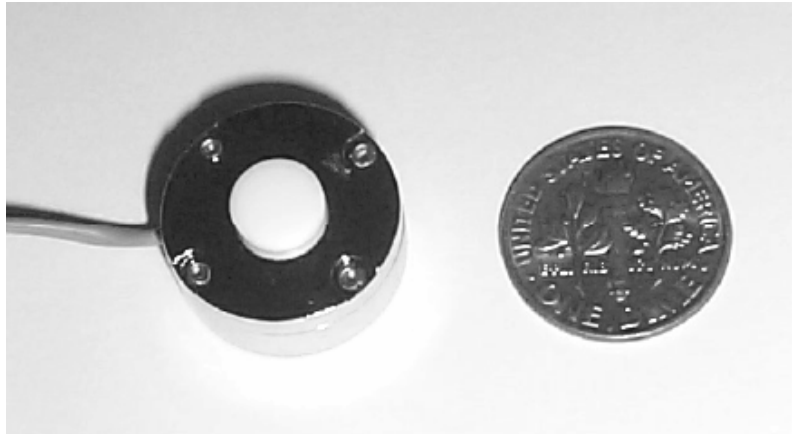
高灵敏度

性能稳定

低噪音

压电薄膜技术

屏蔽线引出



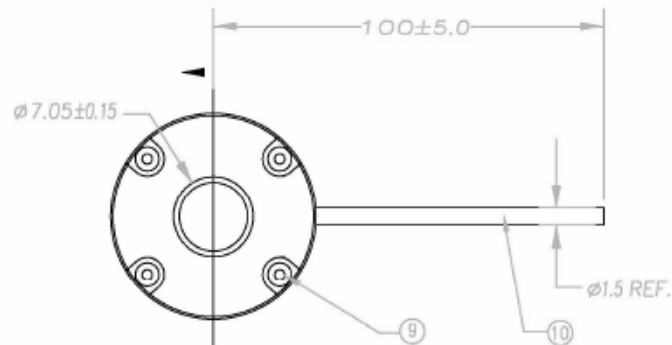
CM-01B 接触式传声器是由灵敏度好，性能稳定的压电薄膜结合一个低噪音的前置放大器电路组成，能以缓冲输出的方式提供唯一的

声音和振动信号的拾取。在产品的结构设计时，尽量将外部的噪音干扰降到最低，从而当产品中间的橡胶垫接收到振动信号的时候，能输出一个高灵敏度的信号。CM-01B 是一款理想的监测体育的传感器。

### 尺寸

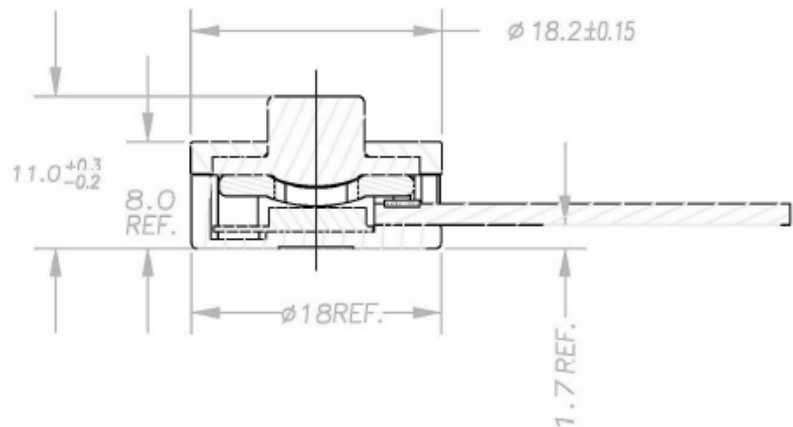
#### 特性

- 频带宽
- 灵敏度高
- 抗冲击性能良好
- 重量轻
- 成本低



#### 应用

- 电子听诊器
- 骨导拾音器
- 通用型的接触式传声器
- 振动/冲击监测

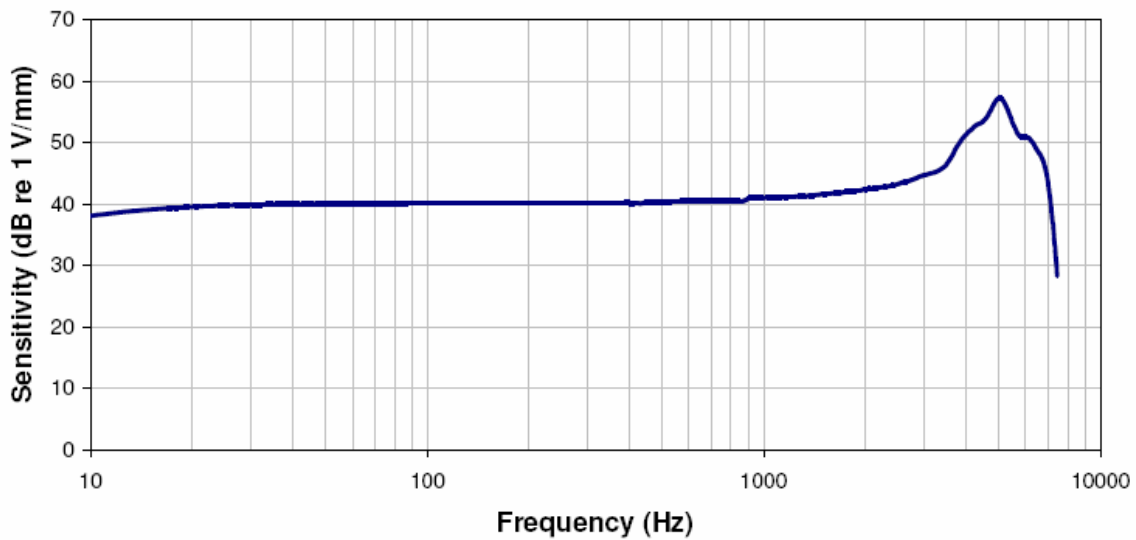


# CM-01 接触式传感器

## 产品尺寸规格

性能参数	最小值	典型值	最大值	单位
灵敏度		40		V/mm
下限频率 (-3dB)		8		Hz
上限频率 (+3dB)		2.2		KHz
谐振频率		5		KHz
弹性系数		20		N/m
电子噪音		1		mV <sub>pk-pk</sub>
供电电压	4	5	30	V-DC
供电电流		0.1		mA
工作温度	+5		+60	°C
存储温度	-20		+85	°C

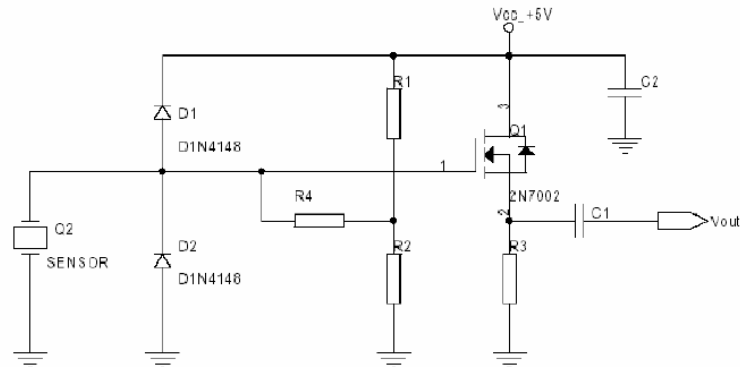
## 典型的频率响应



上图描述的是传感器的底部被固定，橡胶垫的顶面与被测物体接触，检测活塞式位移运动的频率响应曲线。

# CM-01 接触式传感器

## 内部电路原理图



Shield (braid): GND  
Red wire:  $V_{CC}$ , +5V  
Yellow wire:  $V_{out}$

$C1 = C2 = 0.1 \mu F$   
 $R1 = R2 = 300K$   
 $R3 = 10K$   
 $R4 = 100M$

产品名称	产品号
CM-01B	1007079-1

The information in this sheet has been carefully reviewed and is believed to be accurate; however, no responsibility is assumed for inaccuracies. Furthermore, this information does not convey to the purchaser of such devices any license under the patent rights to the manufacturer. Measurement Specialties, Inc. reserves the right to make changes without further notice to any product herein. Measurement Specialties, Inc. makes no warranty, representation or guarantee regarding the suitability of its product for any particular purpose, nor does Measurement Specialties, Inc. assume any liability arising out of the application or use of any product or circuit and specifically disclaims any and all liability, including without limitation consequential or incidental damages. Typical parameters can and do vary in different applications. All operating parameters must be validated for each customer application by customer's technical experts. Measurement Specialties, Inc. does not convey any license under its patent rights nor the rights of others.