



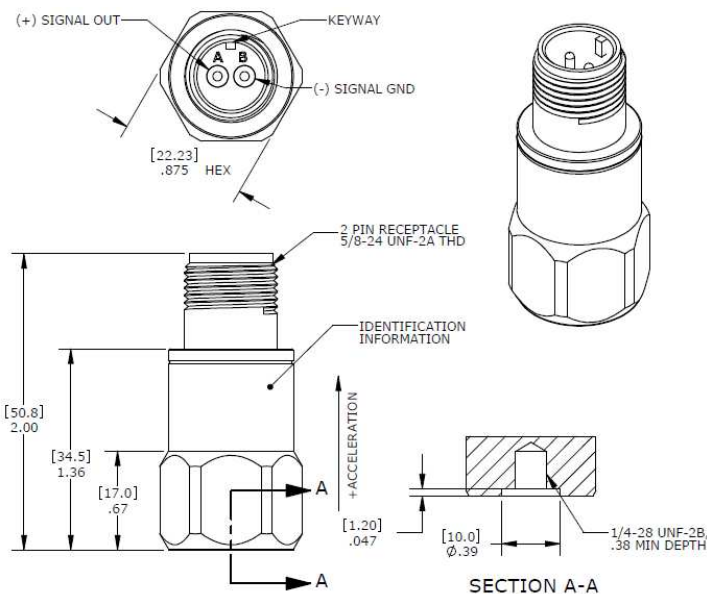
MODEL 8711-01 ACCELEROMETER

SPECIFICATIONS

- ◆ Industrial IEPE Accelerometer
- ◆ Low Cost, Quick Delivery
- ◆ -55°C to +125°C Operating Range
- ◆ Top Exit Connector

The Model 8711-01 are internally shielded rugged IEPE accelerometers designed for industrial condition monitoring. The accelerometers are available in $\pm 5g$ to $\pm 80g$ dynamic ranges and have a flat bandwidth up to greater than 10kHz. The model 8711-01 accelerometer features a top exit MIL-C-5015 connector and is designed to operate in temperature ranges from -55°C to +125°C.

DIMENSIONS

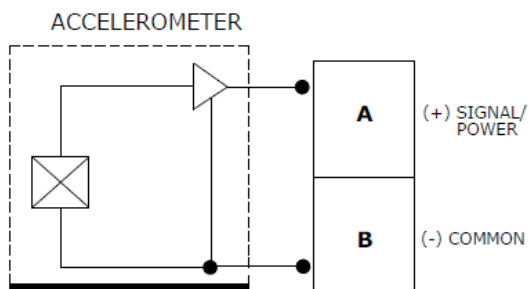


FEATURES

- ◆ $\pm 5g$, $\pm 10g$, $\pm 20g$ & $\pm 80g$ Dynamic Ranges
- ◆ Wide bandwidth up to >10kHz
- ◆ Case Isolated, Internally Shielded
- ◆ Hermetically Sealed, Welded
- ◆ Annular Shear Mode
- ◆ Reverse Wiring Protection
- ◆ Stable Temperature Response

APPLICATIONS

- ◆ General Purpose
- ◆ Machine Monitoring
- ◆ Industrial Applications
- ◆ Harsh Environments
- ◆ Gearbox Monitoring



PERFORMANCE SPECIFICATIONS

All values are typical at +24°C, 80Hz and 4mA excitation unless otherwise stated. Measurement Specialties reserves the right to update and change these specifications without notice. Standard product parameters are described in PSC-1003 for Plug & Play AC Accelerometers.

Parameters

DYNAMIC

	±5	±10	±20	±80	Notes
Range (g)	1000	500	250	100	±10%
Sensitivity (mV/g)	0.3-4000	0.3-4000	1-7000	1-7000	±5%
Frequency Response (Hz)	0.1-6000	0.1-6000	0.3-10000	0.3-10000	±3dB
Natural Frequency (Hz)	20000	20000	32000	32000	
Non-Linearity (%FSO)	±1	±1	±1	±1	
Transverse Sensitivity (%)	<5	<5	<5	<5	
Shock Limit (g)	2000	2000	5000	5000	
Residual Noise (g RMS)	0.00003	0.00005	0.00010	0.00015	
Weight (grams)	105	105	88	88	

ELECTRICAL

Compliance Voltage (Vdc)	18 to 30				See Note 1
Excitation Current (mA)	2 to 10				
Bias Voltage (Vdc)	10 to 13				Room Temperature
Output Impedance (Ω)	<100				
Insulation Resistance (MΩ)	>100				@100Vdc
Warm-up Time (sec)	<5				
Grounding	Case Isolated, Internally Shielded				

ENVIRONMENTAL

Temperature Response (%)	See typical temperature response on following page
Operating Temperature (°C)	-55 to +125
Storage Temperature (°C)	-55 to +125
Humidity	Hermetically Sealed, IP67

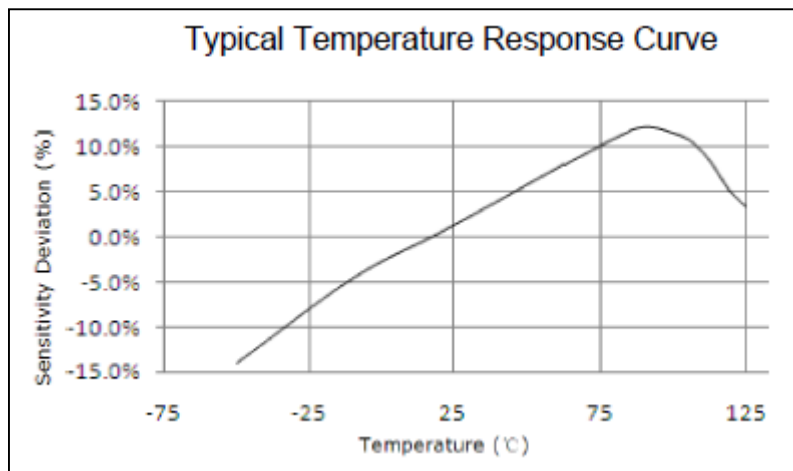
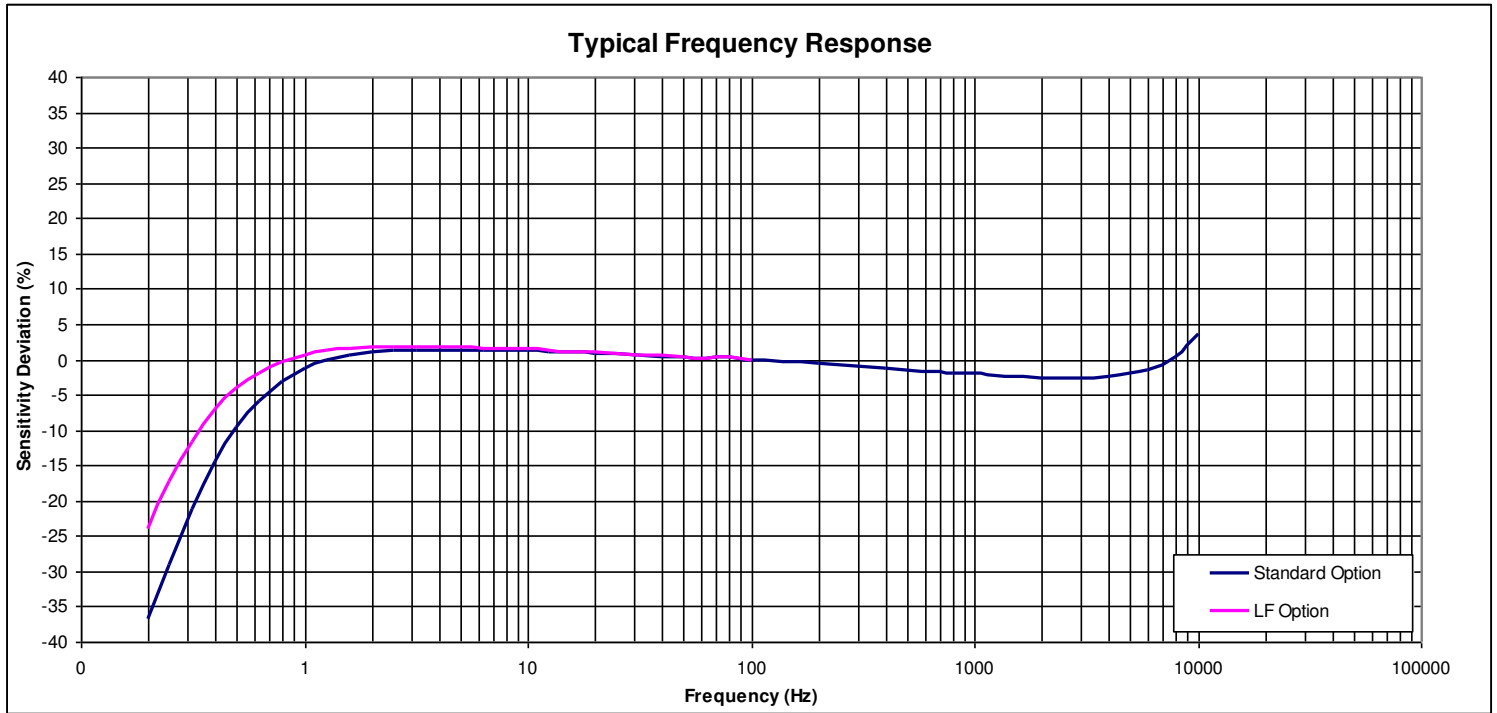
PHYSICAL

Sensing Element	Ceramic (shear mode)
Case Material	Stainless Steel
Mounting Torque	24 lb-in (2.7 N-m)

¹ For full dynamic range a minimum compliance voltage of 24Vdc is recommended

Calibration supplied:	CS-SENS-0100	NIST Traceable Amplitude Calibration at 80Hz
Supplied accessories:	AC-A03663	¼-28 to ¼-28 mounting stud
Optional accessories:	316A-XXX	Cable Assembly, Straight (XXX designates length in inches, 10ft standard)
	318A-XXX	Cable Assembly, 90 Degrees (XXX designates length in inches, 10ft standard)
	AC-D03664	¼-28 to M5 mounting stud
	AC-D03665	¼-28 to M6 mounting stud

The information in this sheet has been carefully reviewed and is believed to be accurate; however, no responsibility is assumed for inaccuracies. Furthermore, this information does not convey to the purchaser of such devices any license under the patent rights to the manufacturer. Measurement Specialties, Inc. reserves the right to make changes without further notice to any product herein. Measurement Specialties, Inc. makes no warranty, representation or guarantee regarding the suitability of its product for any particular purpose, nor does Measurement Specialties, Inc. assume any liability arising out of the application or use of any product or circuit and specifically disclaims any and all liability, including without limitation consequential or incidental damages. Typical parameters can and do vary in different applications. All operating parameters must be validated for each customer application by customer's technical experts. Measurement Specialties, Inc. does not convey any license under its patent rights nor the rights of others.



ORDERING INFORMATION

PART NUMBERING Model Number+Range

8711LF-01-GGG

 | |_____ Range (080 is 80g)

 |_____ Low frequency, required for 5g and 10g ranges

Standard model numbers:

8711LF-01-005

8711LF-01-010

8711-01-020

8711-01-080